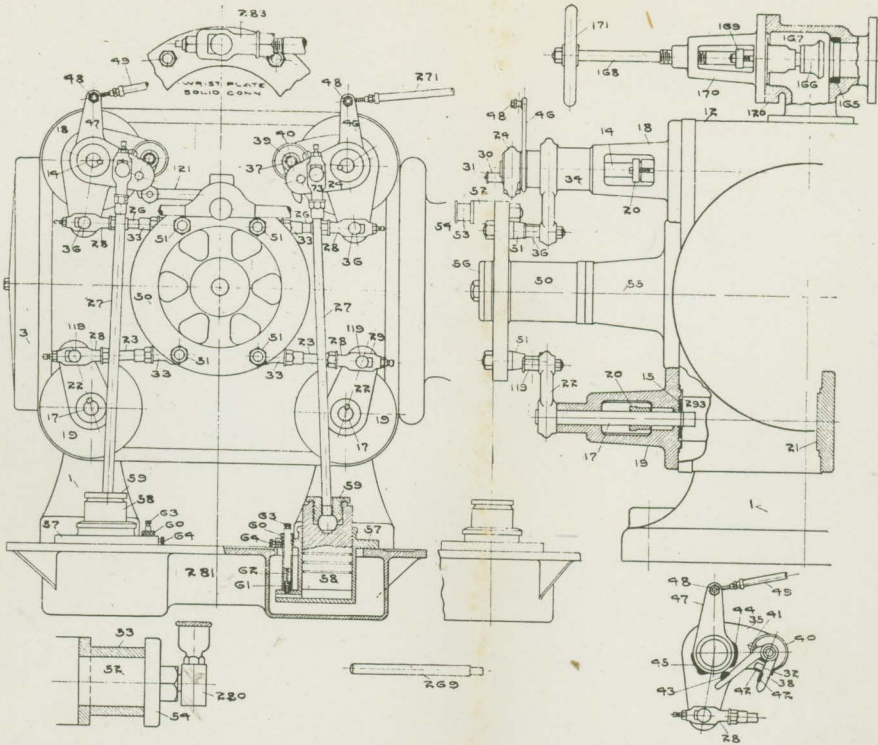
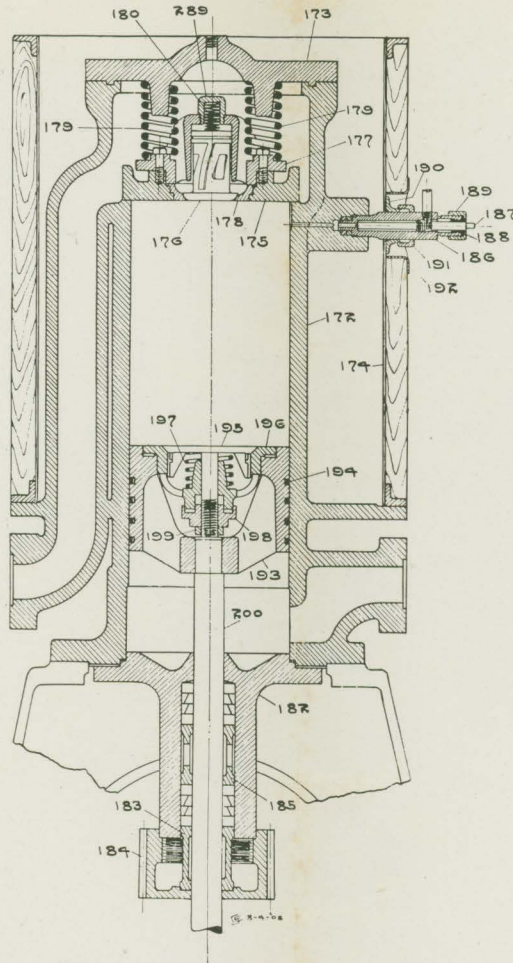


FRICK COMPANY, INC., WAYNESBORO, PA., U. S. A.



NOTE:—WHEN ORDERING REPAIRS, ALWAYS STATE WHETHER TO SHIP BY FREIGHT, EXPRESS OR PARCEL POST

- | | |
|--|--|
| 1 Steam Cylinder | 65 Carrier Rod |
| 3 Steam Cylinder Cover | 52 Carrier Rod Pin |
| 12 Steam Cylinder Jacket | 53 Carrier Rod Pin Bushing |
| 15 Steam and Exhaust Valve Stem Collar | 54 Carrier Rod Pin Cap |
| 14 Steam Valve Stem | 121 Carrier Rod Latch |
| 18 Steam Bonnet | 280 Carrier Rod Pin Oiler Stud |
| 24 Steam Valve Arm Right Hand | 28 Rod Hd. For Wrist Plate Connection (R. H. Thd.) |
| 25 Steam Valve Arm Left Hand | 29 Adjusting Box For Wrist Plate Connections |
| 26 Steam Valve Wrist Plate Connection | 33 Rod Hd. For Wrist Plate Connection (L. H. Thd.) |
| 20 Stm. and Exh. Valve Stem Stuff. Box Gland | 73 Rod Head For Dash-Pot |
| 120 Steam Stop Valve | 21 Back Bonnet |
| 165 Steam Stop Valve Seat | 32 Hock Pin |
| 166 Steam Stop Valve Button | 34 Lift-Arm Right Hand |
| 167 Steam Stop Valve Button Nut | 35 Lift-Arm Left Hand |
| 168 Steam Stop Valve Stem | 36 Lift-Arm Pin |
| 169 Steam Stop Valve Stem Packing Gland | 37 Latch Right Hand |
| 170 Steam Stop Valve Bonnet | 38 Latch Left Hand |
| 171 Steam Stop Valve Hand Wheel | 39 Latch Pin |
| 293 Exhaust Valve Right Hand | 40 Latch Spring |
| 17 Exhaust Valve Stems | 41 Latch Spring Stud |
| 19 Exhaust Bonnet | 42 Latch and Hook Pin Dies |
| 22 Exhaust Valve Arm | 43 Latch Button |
| 23 Exhaust Valve Wrist Plate Connection | 44 Knock-off Cam |
| 119 Exhaust Arm Pin | 45 Safety Cam |
| 57 Dash-Pot | 46 Trip Lever (Right Hand) |
| 58 Dash-Pot Plunger | 47 Trip Lever (Left Hand) |
| 59 Dash-Pot Plunger Cap | 48 Trip Lever Pin |
| 60 Dash-Pot Adjusting Valve | 49 Reach Rod (Long) |
| 61 Dash-Pot Check Valve | 271 Reach Rod (Short) |
| 62 Dash-Pot Check Valve Spring | 50 Wrist Plate |
| 63 Dash-Pot Check Valve Regulator. | 51 Wrist Plate Valve Connecting Pin |
| 64 Dash-Pot Adjusting Valve Thumb Screw | 55 Wrist Plate Stand |
| 27 Dash-Pot Plate | 56 Wrist Plate Stand Cap |
| 20 Dash-Pot Rod | 269 Starting Handle |
| 27 Dash-Pot Rod Pin | 283 Carrier Rod (Rod Head, Solid Connection) |
| 31 Dash-Pot Rod Pin Cap | |

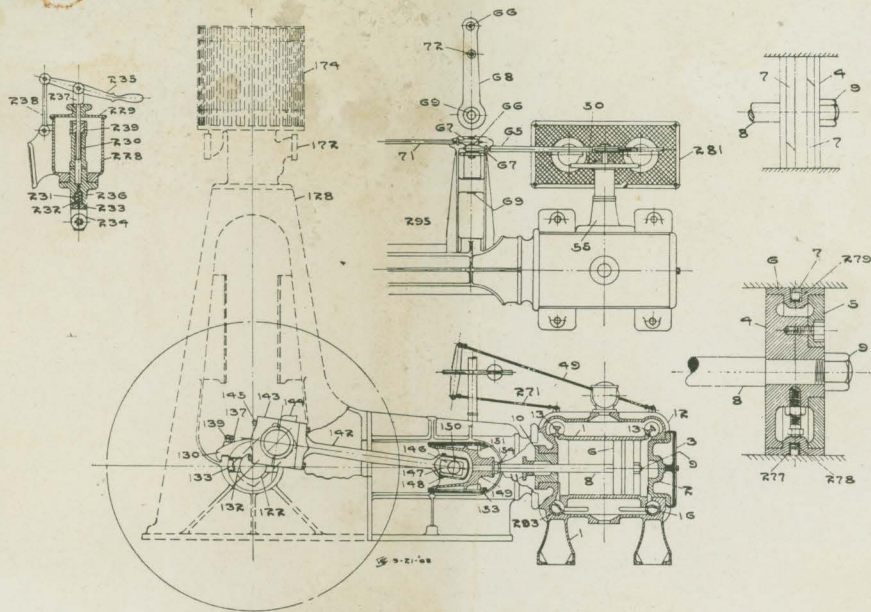


Section Through Ammonia Cylinder

NOTE:—WHEN ORDERING REPAIRS, ALWAYS STATE WHETHER TO SHIP BY FREIGHT OR EXPRESS

- | | |
|---|---|
| 172 Ammonia Cylinder | 188 Amm. Cyl. Indicator Valve Stem Packing Gland |
| 173 Ammonia Cylinder Head | 189 Ammonia Cyl. Indicator Valve Stem Packing Nut |
| 174 Ammonia Cylinder Water Jacket | 190 Ammonia Cylinder Jacket Stuffing Box |
| 175 Ammonia Cylinder Safety Head | 191 Amm. Cylinder Jacket Stuffing Box Packing Nut |
| 176 Ammonia Cylinder Discharge Valve | 192 Ammonia Cylinder Jacket Trimmer Flange |
| 177 Ammonia Cylinder Discharge Valve Cage | 193 Ammonia Piston |
| 178 Ammonia Cylinder Discharge Valve Seat | 194 Ammonia Piston Snap Rings |
| 179 Ammonia Cylinder Safety Head Spring | 195 Ammonia Piston Suction Valve |
| 180 Ammonia Cylinder Discharge Valve Spring | 196 Ammonia Piston Suction Valve Gage |
| 182 Ammonia Piston Rod Stuffing Box | 197 Ammonia Piston Suction Valve Spring |
| 183 Ammonia Piston Rod Packing Gland | 198 Ammonia Piston Suction Valve Cushion Nut |
| 184 Ammonia Piston Rod Packing Nut | 199 Amm. Piston Suction Valve Cushion Lock Nut |
| 185 Ammonia Piston Rod Inter. Gland | 200 Ammonia Piston Rod |
| 186 Ammonia Cylinder Indicator Valve | 289 Ammonia Discharge Valve Spring Cup |
| 187 Ammonia Cylinder Indicator Valve Stem | |

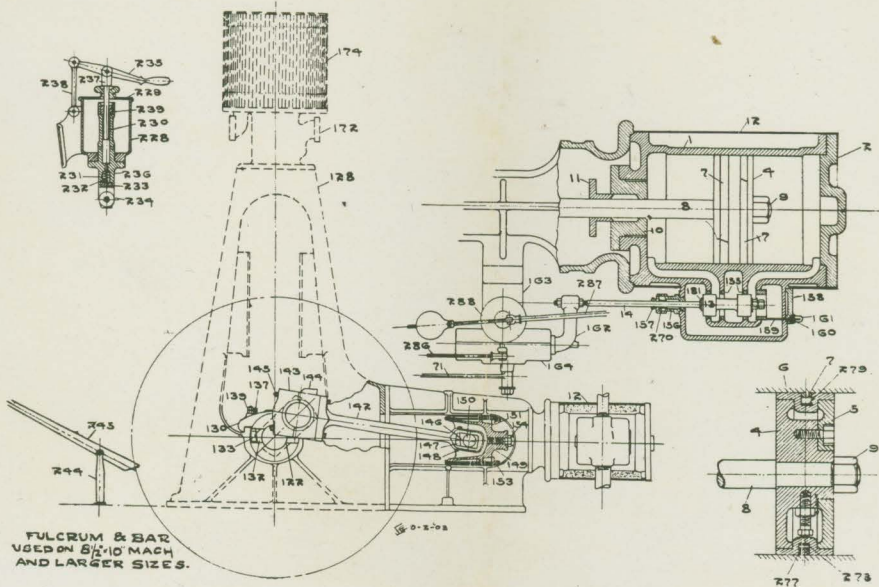
FRICK COMPANY, INC., WAYNESBORO, PA., U. S. A.



Section Through Cylinder

NOTE:—WHEN ORDERING REPAIRS, ALWAYS STATE WHETHER TO SHIP BY FREIGHT OR EXPRESS

- | | |
|--|---|
| 1 Steam Cylinder | 139 Main Bearing Binder Bolt |
| 2 Steam Cylinder Head | 142 Engine Connecting Rod |
| 3 Steam Cylinder Head Cover | 143 Engine Con. Rod Box (Crank End) Male |
| 4 Steam Piston Head Cover | 144 Engine Con. Rod Box (Crank End) Female |
| 5 Steam Piston Head Follower | 145 Engine Connecting Rod Box (Crank End Bolt) |
| 6 Steam Piston Junk Ring | 146 Engine Connecting Rod Box (Cross Head End) |
| 7 Steam Piston Packing Ring | 147 Eng. Con. Rod Box (Cross Head End Adj. Wedge) |
| 8 Steam Piston Rod | 148 En. Con. Rod Box (Cross Hd. End Adj. Wdg. Bolt) |
| 9 Steam Piston Rod Nut | 149 Engine Cross Head |
| 10 Steam Piston Rod Stuffing Box | 150 Engine Cross Head Pin |
| 11 Steam Piston Rod Stuffing Box Gland | 151 Engine Cross Head Shoe |
| 12 Steam Cylinder Jacket | 153 Engine Cross Head Shoe Adjustable Bolt |
| 13 Steam Valves | 154 Steam Piston Lock Nut |
| 16 Exhaust Valves Left Hand | 172 Ammonia Cylinder |
| 293 Exhaust Valves Right Hand | 174 Ammonia Cylinder Jacket |
| 49 Reach Rod (Long) | 228 Oil Pot |
| 271 Reach Rod (Short) | 229 Oil Pot Lid |
| 50 Wrist Plate | 230 Oil Pot Pump Plunger |
| 55 Wrist Plate Stand | 231 Oil Pot Pump Check Valve |
| 65 Carrier Rod | 232 Oil Pot Pump Check Valve Spring |
| 66 Rocker Arm Pin (Upper) | 233 Oil Pot Pump Spring Seat |
| 67 Carrier and Eccentric Rod Head | 234 Oil Pot Pump Pipe Connection |
| 68 Rocker Arm | 235 Oil Pot Pump Handle |
| 69 Rocker Arm Shaft | 236 Oil Pot Pump Body |
| 71 Eccentric Rod | 237 Oil Pot Pump Plunger Yoke |
| 72 Rocker Arm Pin (Lower) | 238 Oil Pot Pump Handle Fulcrum |
| 122 Crank Shaft | 239 Oil Pot Pump Plunger Stop Collar |
| 130 Main Bearing Binder | 281 Dash Pot Plate |
| 132 Main Bearing Check Shell | 277 Steam Piston Packing Ring Keeper |
| 133 Main Bearing Check Shell Adjustable Wedge | 278 Steam Piston Packing Ring Keeper Spring |
| 137 Main Bearing Check Shell Adjustable Wedge Bolt | 279 Steam Piston Packing Ring Spring |
| | 295 Rocker Arm Support |

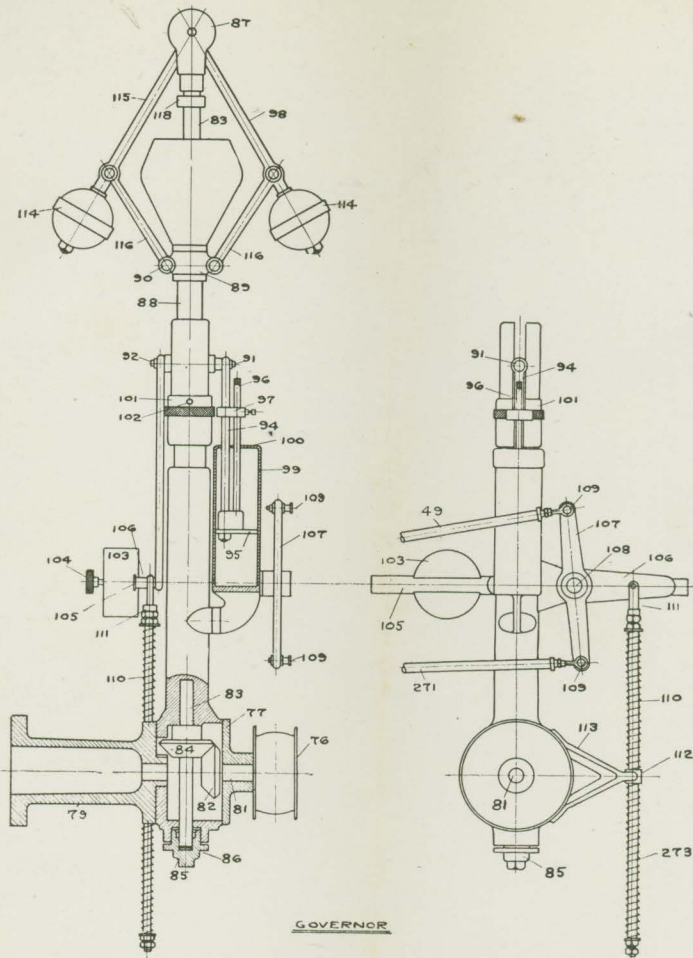


FULCRUM & BAR
USED ON 5 1/2" MACH
AND LARGER SIZES.

Section Through Cylinder

NOTE:—WHEN ORDERING REPAIRS, ALWAYS STATE WHETHER TO SHIP BY FREIGHT OR EXPRESS

- | | |
|--|---|
| 1 Steam Cylinder | 157 Steam Valve Rod Stuffing Box Nut |
| 2 Steam Cylinder Head | 158 Steam Chest Cover |
| 4 Steam Piston | 159 Steam Valve Cage Retaining Stud |
| 5 Steam Piston Head Follower | 160 Steam Valve Cage Retaining Stud Nut |
| 6 Steam Piston Junk Rings | 161 Steam Valve Cage Retaining Stud Cap |
| 7 Main Piston Packing Rings | 162 Steam Valve Rod Guide |
| 8 Steam Piston Rod | 163 Steam Valve Rod Guide Bracket |
| 9 Steam Piston Rod Nut | 164 Steam Valve Rod Guide Bracket Cap |
| 10 Steam Piston Stuffing Box | 128 Column |
| 11 Steam Piston Stuffing Box Gland | 172 Ammonia Cylinder |
| 12 Steam Cylinder Jacket | 174 Ammonia Cylinder Jacket |
| 13 Steam Valve | 270 Steam Valve Rod Stuffing Box Gland |
| 14 Steam Valve Rod | 181 Steam Valve Washer |
| 71 Eccentric Rod | 286 Regular Connection to Eccentric Rod |
| 122 Crank Shaft | 287 Regulator Connection to Steam Valve |
| 130 Main Bearing Binder | 288 Mason Regulator |
| 132 Main Bearing Check Shell | 228 Oil Pot |
| 133 Main Bearing Check Shell Adjustable Wedge | 229 Oil Pot Lid |
| 137 Main Bearing Check Shell Adjustable Wedge Bolt | 230 Oil Pot Pump Plunger |
| 139 Main Bearing Binder Bolt | 231 Oil Pot Pump Check Valve |
| 142 Engine Connecting Rod | 232 Oil Pot Pump Check Valve Spring |
| 143 Engine Connecting Rod Box (Crank End Male) | 233 Oil Pot Pump Spring Seat |
| 144 Engine Connecting Rod Box (Crank End Female) | 234 Oil Pot Pump Pipe Connection |
| 145 Engine Connecting Rod Box (Crank End Bolt) | 235 Oil Pot Pump Handle |
| 146 Engine Connecting Rod Box (Cross Head End) | 236 Oil Pot Pump Body |
| 147 Engine Con. Rod Box (Cross Hd. End) Adj. Wedge | 237 Oil Pot Pump Plunger Yoke |
| 148 Eng. Con. Rod Box (Cross Hd. End) Adj. Bolt | 238 Oil Pot Pump Handle Fulcrum |
| 149 Cross Head | 239 Oil Pot Pump Plunger Stop Collar |
| 150 Cross Head Pin | 244 Starting Bar Fulcrum |
| 151 Cross Head Shoe | 245 Starting Bar |
| 153 Cross Head Shoe Adjustable Bolt | 277 Steam Piston Packing Ring Keeper |
| 154 Steam Piston Lock Nut | 278 Steam Piston Packing Ring Keeper Spring |
| 155 Steam Valve Cage | 279 Steam Piston Packing Ring Spring |
| 156 Steam Valve Rod Stuffing Box | |



GOVERNOR

Governor

NOTE:—WHEN ORDERING REPAIRS, ALWAYS STATE WHETHER TO SHIP BY FREIGHT OR EXPRESS

- | | |
|--|--|
| 76 Governor Pulley (On Governor) | 100 Governor Gag Pot Cover |
| 77 Governor Pulley Spool | 101 Governor Safety Collar |
| 78 Governor Banjo | 102 Governor Safety Collar Thumb Screw |
| 79 Governor Banjo Spool | 103 Governor Speed Adjusting Weight |
| 81 Governor Pulley Shaft | 104 Governor Speed Adjusting Weight Thumb Screw |
| 82 Governor Pulley Shaft Mitre Gear | 105 Governor Speed Adjusting Weight Beam |
| 83 Governor Spindle | 106 Governor Speed Adjusting Weight Arm |
| 84 Governor Spindle Mitre Gear | 107 Governor Regulating Arm |
| 85 Governor Spindle Cup Bearing | 108 Governor Regulating Arm Shaft |
| 86 Governor Spindle Sleeve Collar Bolt | 109 Governor Regulating Arm Pin (Reach Rod) |
| 87 Governor Spindle Head | 110 Governor Balancing Spring (Upper) |
| 88 Governor Spindle Sleeve | 111 Governor Balancing Spring Yoke |
| 89 Governor Spindle Sleeve Collar | 112 Governor Balancing Spring Trunnion |
| 90 Governor Spindle Sleeve Collar Bolt | 113 Governor Balancing Spring Bracket |
| 91 Governor Spindle Sleeve Pin Conn. to Gag Pot. | 114 Governor Balls |
| 92 Governor Spindle Sleeve Pin Conn. to Wt. Arm | 115 Governor Ball Arm (Straight End) |
| 93 Governor Weight Arm Rod | 116 Governor Spindle Sleeve Connecting to Ball Arm |
| 94 Governor Gag Pot Piston Rod | 117 Governor Spindle Weight |
| 95 Governor Gag Pot Piston | 118 Governor Spindle Weight Stop Collar |
| 96 Governor Gag Pot Piston Adjusting Rod | 271 Reach Rod (Short) |
| 97 Governor Gag Pot Piston Adjusting Rod Clamp | 49 Reach Rod (Long) |
| 98 Governor Ball Arm (Forked End) | 273 Governor Balancing Spring (Lower) |
| 99 Governor Gag Pot | |